



WE HAVE YOU COVERED

Marin Sanitary Service provides garbage, recycling, compostables (yard and food waste) and Food 2 Energy (food waste only) collection services to help our commercial customers manage their waste in a sustainable manner and in compliance with local and state laws and regulations.

WE ARE HERE TO HELP

Visit our website for more information:
www.marinsanitaryservice.com/commercial
or contact one of our Outreach Coordinators to request a service assessment to determine what services are appropriate for your business.

Contact an Outreach Coordinator at
415-456-2601.

GARBAGE

Garbage Cart Sizes



96 Gallon
height 46"
width 28"
depth 35"



64 Gallon
height 43"
width 26"
depth 29"



32 Gallon
height 39"
width 23"
depth 23.5"

Front Loader Garbage Bin Sizes



Colors of bins may vary.

	Front Height	Width	Rear Height	Depth
1 Cubic Yard	40"	81"	48"	30
2 Cubic Yards	40"	81"	48"	40"
3 Cubic Yards	45"	81"	61"	45"
4 Cubic Yards	54"	81"	65"	54"
5 Cubic Yards	55"	81"	70"	67"
6 Cubic Yards	50"	81"	84"	67"

Cardboard Recycling Bin Sizes



Colors of bins may vary.

- 1 Cubic Yard
- 2 Cubic Yards

	Front Height	Width	Rear Height	Depth
1 Cubic Yard	48"	78"	53"	33"
2 Cubic Yards	48"	79"	53"	58"

Paper Recycling Cart Sizes



96 Gallon
height 46"
width 28"
depth 35"



64 Gallon
height 43"
width 26"
depth 29"



32 Gallon
height 39"
width 23"
depth 23.5"

Container Recycling Cart Sizes



64 Gallon
height 43"
width 26"
depth 29"



32 Gallon
height 39"
width 23"
depth 23.5"

ORGANICS RECYCLING OPTIONS

Marin Sanitary Service is pleased to offer our commercial customers two types of Organics recycling programs to help them comply with local and state laws and regulations. The type of Organics collection service depends on the type of organic material the business generates: our standard compostables service makes sense for businesses that generate a small amount of food scraps combined with a greater amount of food soiled paper and yard waste, while other businesses that generate large amounts of food scraps (especially pre-consumer food scraps) will be a part of our exciting Food 2 Energy (F2E) program.

COMPOSTABLES
YARD & FOOD WASTE

Compostables Cart Sizes



64 Gallon
height 43"
width 26"
depth 29"



32 Gallon
height 39"
width 23"
depth 23.5"

FOOD SCRAPS
ONLY

Food 2 Energy (F2E) Cart Sizes



64 Gallon
height 43 "
width 26"
depth 29"



32 Gallon
height 39"
width 23"
depth 23.5"

LEARN MORE ABOUT OUR FOOD 2 ENERGY PROGRAM ON OUR WEBSITE AT WWW.MARINSANITARYSERVICE.COM/FOOD2ENERGY



All enclosure designs should be reviewed by Marin Sanitary before approval and construction. Marin Sanitary approval does not constitute approval from the jurisdiction. All required design reviews and permits must be obtained from the jurisdiction.

DESIGN

Overhang/Roof

Durable Hinges

Door Latches & Drop pins



Metal swinging doors

Gate Hardware for Locking with a Padlock

LEVEL FLOOR

The enclosure and surface where collection occurs must be level to avoid bins rolling on sloped areas.

OVERHANG PROTECTION

Helps keep non-tenants from tossing bulky items such as mattresses and furniture into bins. Also allows for light fixtures to be hung.

CONCRETE MASONRY UNIT (CMU) WALLS

Strengthen walls by using CMUs. Wood panel walls may be damaged due to bins being pulled in and out.

ENCLOSURE BUMPERS

To protect enclosure walls, it is advisable to create a bumper (concrete, metal or railroad tie) between bins and the enclosure walls in order to prevent bins from rolling into structure. This is particularly important along the back wall.

LOCKING ENCLOSURE

MSS recommends keeping your enclosure locked to prevent illegal dumping. We can provide a padlock and keys, for a fee.

DRAINAGE *(Food Establishments Only)*

County Environmental Health Dept requires a sewer drain when enclosures are used for food establishments.

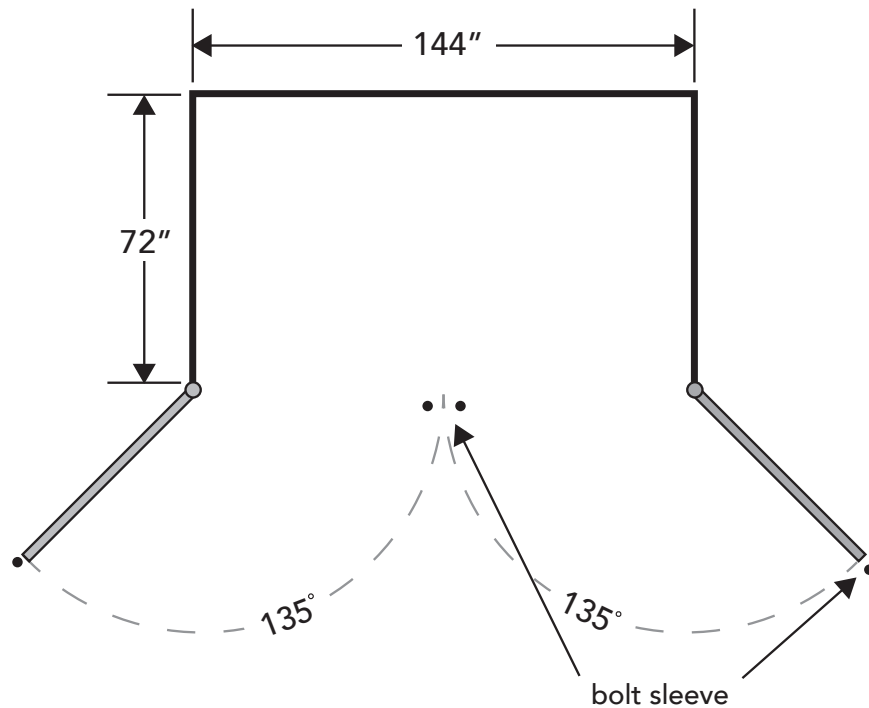
ENCLOSURE MEASUREMENTS

Enclosure design must permit the removal of any individual container without needing to remove another bin. Enclosure design should take into account both the size and number of bins needed to provide optimum service to the facility. A recycle bin, container and paper recycling carts and compost bin should be accommodated for in addition to garbage bins.

Four (4), five (5)-and six (6)-yard bins do not have wheels. The enclosure opening must be approximately three (3) feet wider (on each side) than the bin so the truck can drive directly up to the enclosure and insert the truck arms into the bin. Other bins may be placed alongside as long as adequate space between bins is provided. All collection areas must be flat or customers must roll bins to a flat area.

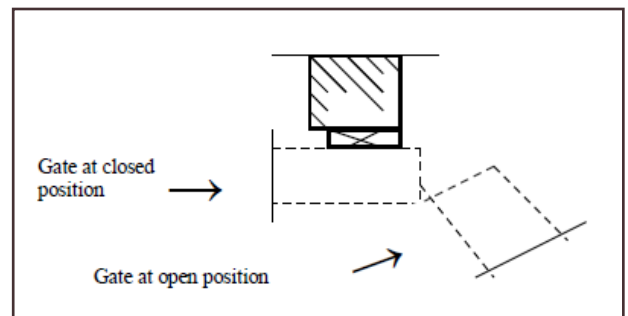
All measurements (below) are the *minimum* required for one (1) bin and one (1) cart each for paper recycling, container recycling, and compostables. Allow additional space for additional bins or recycle carts.

- Doors must swing open a minimum of 135°.
- Drop bolts are required to hold the doors open.



DOOR HINGE DETAIL

Hinges should be located on the outside of the frame to allow maximum opening of the gates/doors. Hinges must be heavy-duty to withstand regular use. MSS will not be liable for hinge failure due to normal wear and tear.



ACCESS SPECIFICATIONS

ENCLOSURE APPROACH

- MSS requires a minimum roadway access width of 12 feet.
- The concrete pad in front of an enclosure, or the truck parking spot for accessing a room must be capable of sustaining 54,000 pounds which is the max weight of an MSS vehicle.
- There should be at least a 20-foot concrete pad in front of the enclosure. Asphalt is not adequate in front of enclosures. Complexes that utilize asphalt will be required to provide a damage waiver.
- Enclosure should not be placed in a manner that will require trucks to back out into a blind street.
- Enclosure should not be situated behind a parking space.
- Enclosures and access pathways to rooms must include signage for no parking on collection day.
- MSS will only push bins a maximum of 20 ft from enclosure to truck which may incur a pull fee.
- The enclosure and surface where collection occurs must be level to avoid bins rolling on sloped areas.

DAMAGES, WAIVERS AND FEES

- Standard service is at the curb; we will not have to access private property if deemed unsafe, or a barrier to proper service.
- MSS requires that all private roads, lanes or driveways be built to public road standards. We will not be responsible for damage to asphalt or substandard paving. A damage waiver may be required before collection vehicles will enter any private property deemed to have inadequate paving.
- If an enclosure or room is located on private property MSS assumes the customer has given implied consent to access, and drive onto the property.
- MSS is not responsible for being unable to provide service to a room or enclosure unless we have given prior approval.
- Carts stored in rooms inside a complex which are not placed at the curb for collection will incur a walking distance fee for all cart types.

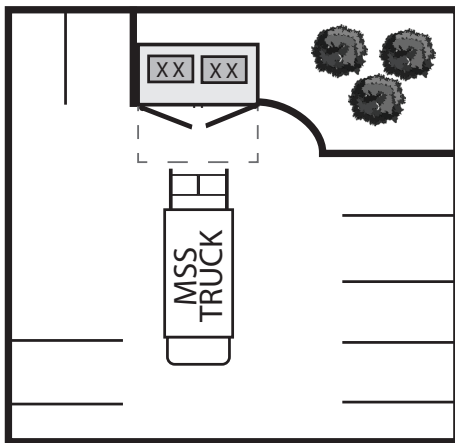
VEHICAL CLEARANCE

Overhead clearance of 14 feet is required for all trucks entering area. Overhead clearance for tipping of containers is 23 feet. Enclosures should be kept away from overhead obstructions such as carports, awnings, low trees or power lines.

- Trees, and utility wires in the property access area must be no lower than 14 feet.
- MSS trucks are a maximum of 34 feet long with a turning radius of 46 feet requiring the proper amount of approach space.

DIRECT ACCESS

Preferred



ANGLED ACCESS

Acceptable with approval
up to 30 degrees

